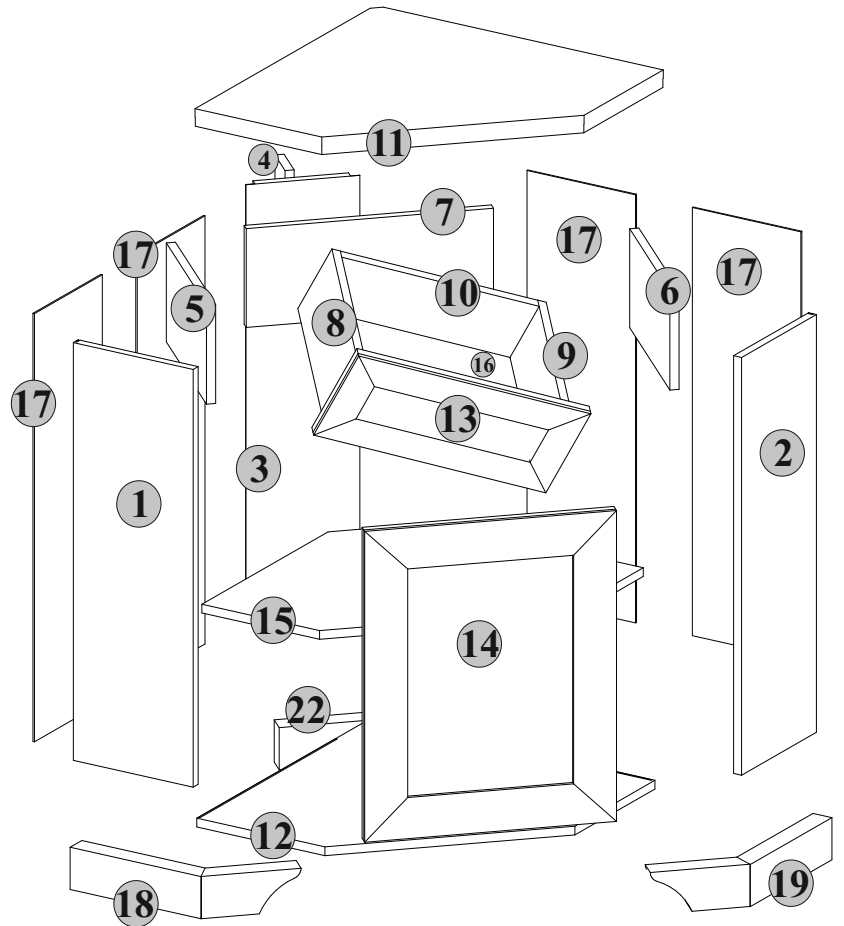
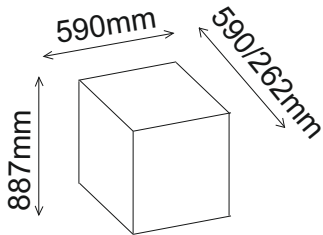
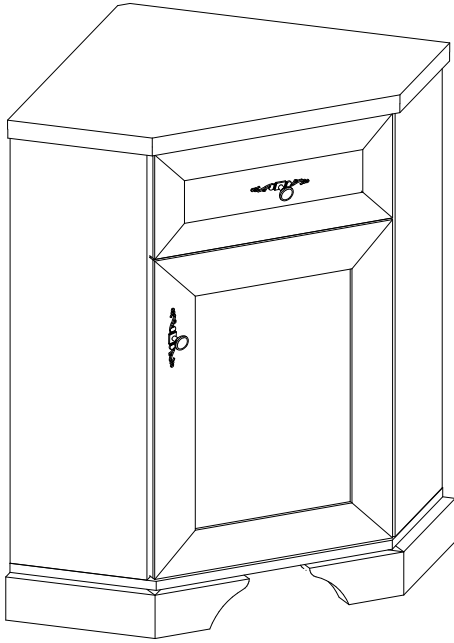


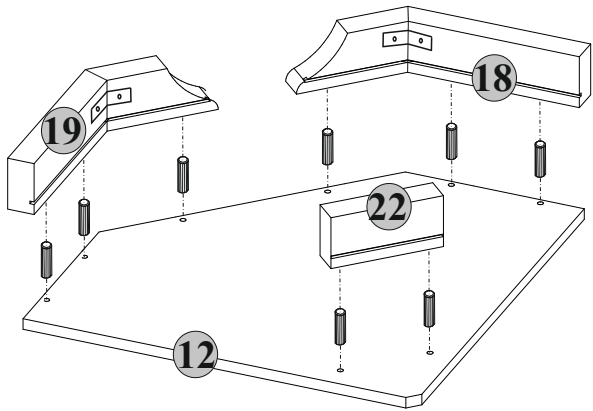
number	Measurements	Pcs.
1	762x240	1
2	762x240	1
3	762x199	1
4	762x76	1
5	180x304	1
6	180x304	1
7	180x432	1
8	300x140	1
9	300x140	1
10	374x140	1
11	578x578	1
12	566x566	1
13	186x440	1
14	567x440	1
15	545x545	1
16	384x294	1
17	781x218	4
18	263x174x77	1
19	263x174x77	1
22	160x77	1
23	762x	2

L/P

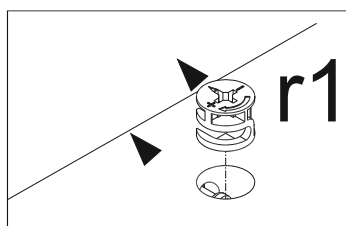
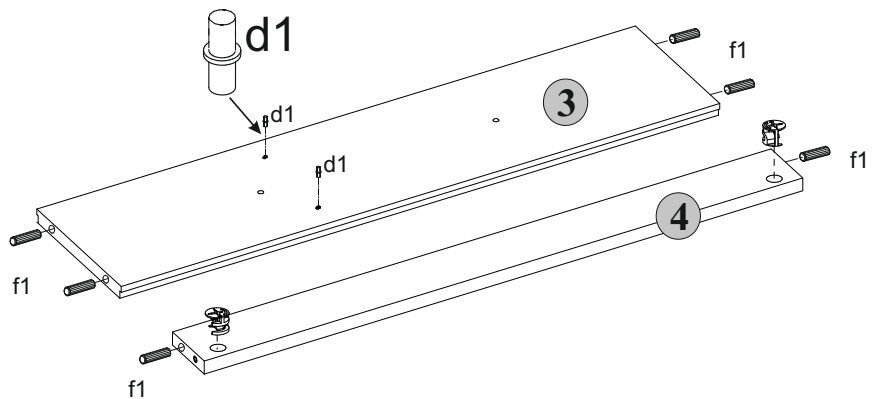
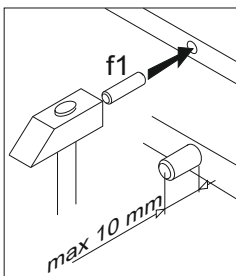
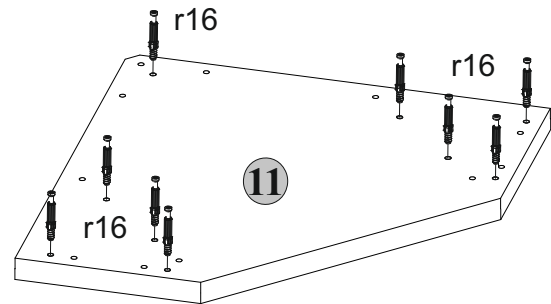
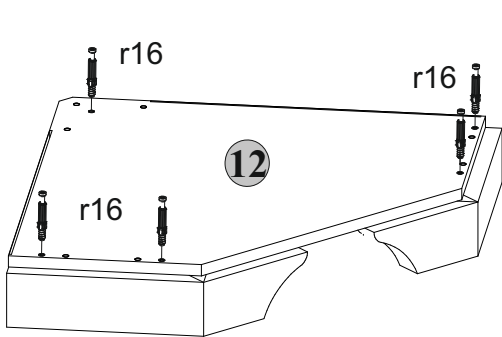
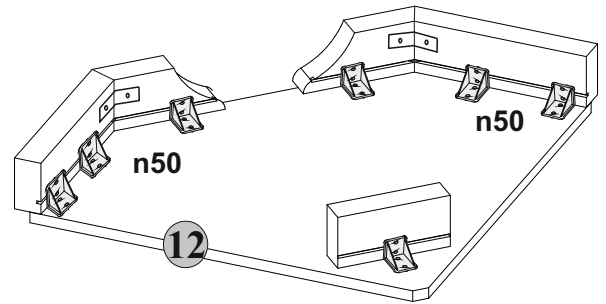
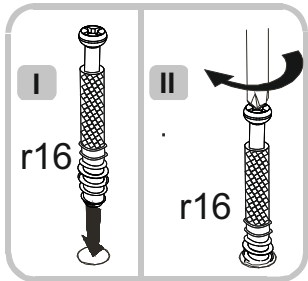
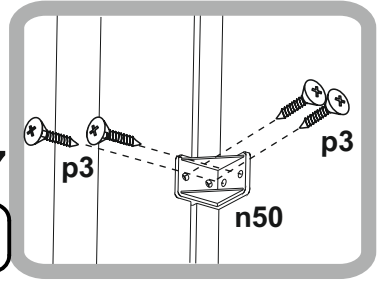


7x n50	8x 7x50 e1	8x s1	7x φ5x17 mm d1	16x φ3.5x13 mm p1	1x y1	1x φ4x20 mm j1	60x l1	2x b3		
1x w300	28x φ3.5x16 mm p3	2x c65	1x φ4x25 mm j8	4x φ6.3x13 mm e2	2x a10	1x z1	30x φ8x30 mm f1	18x φ15 #16 r1	18x r16	18x s2

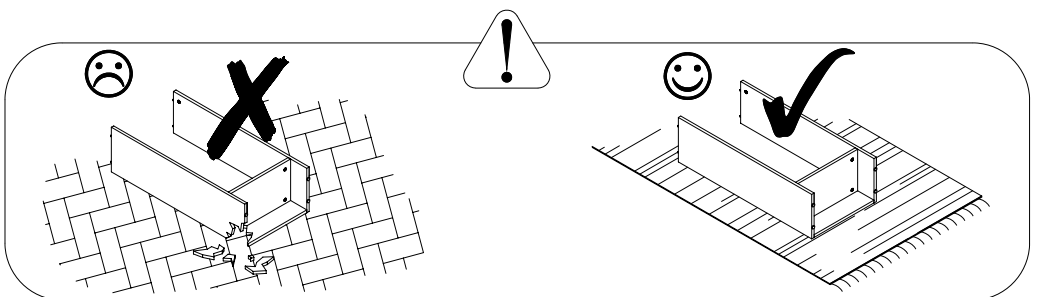
I



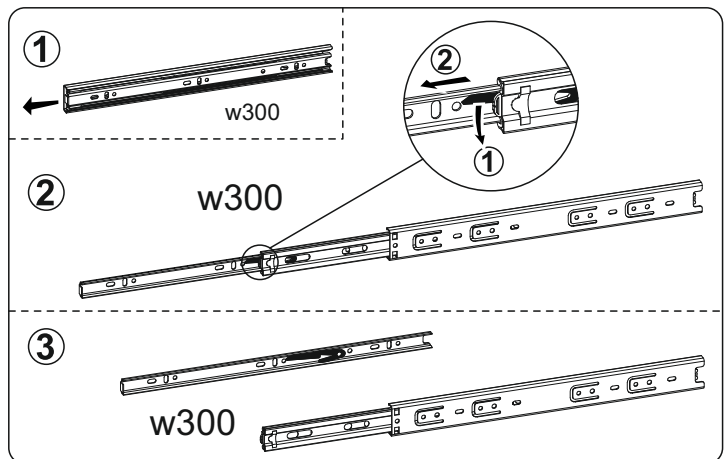
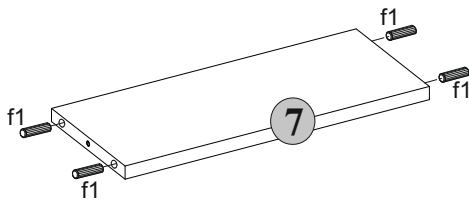
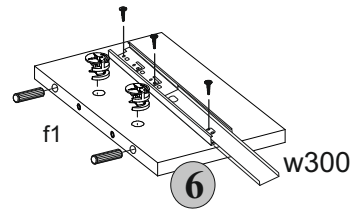
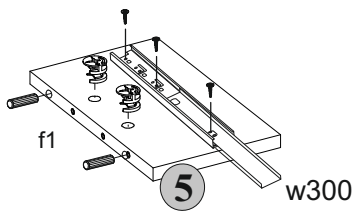
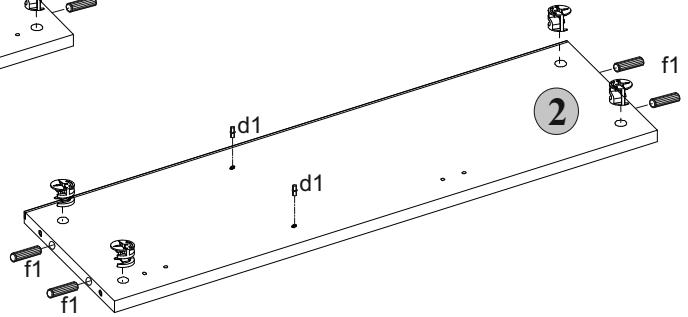
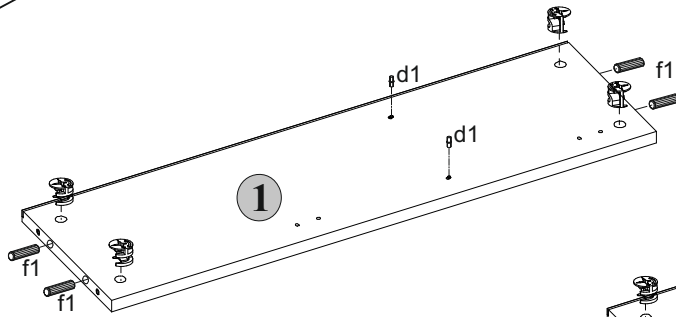
x7



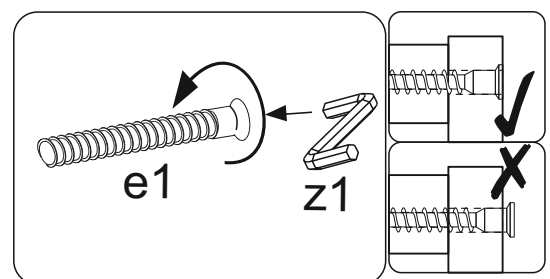
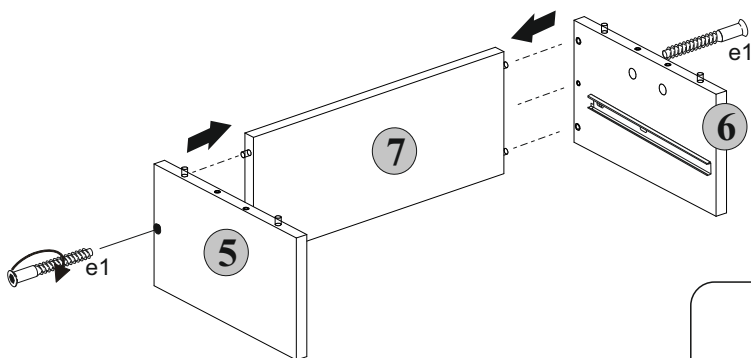
2



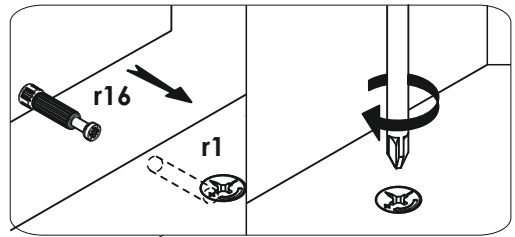
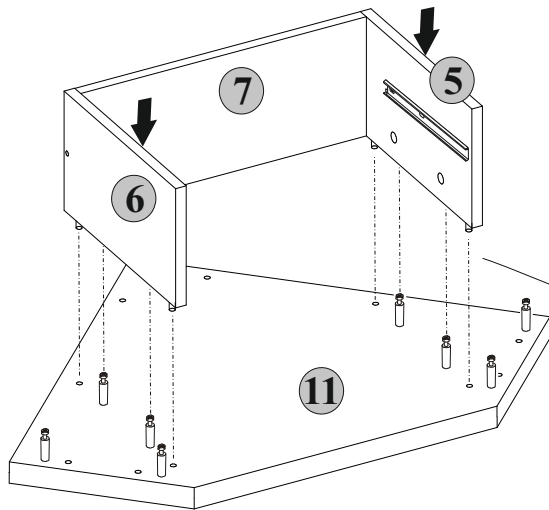
2



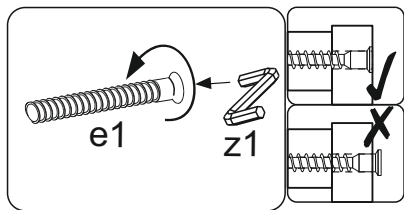
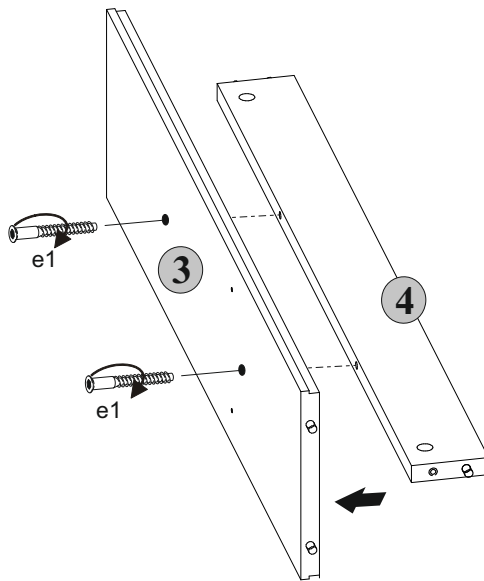
3



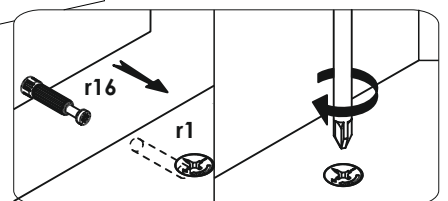
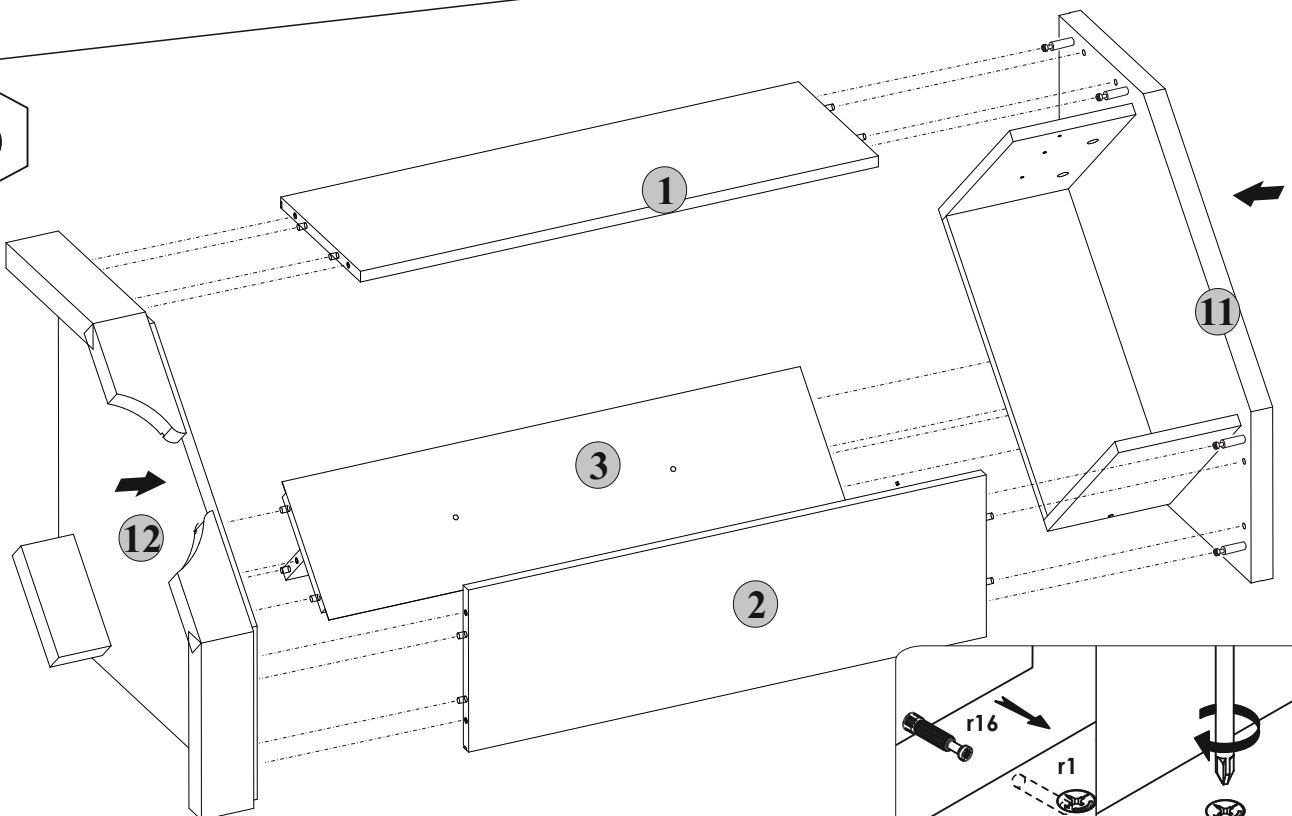
4



5

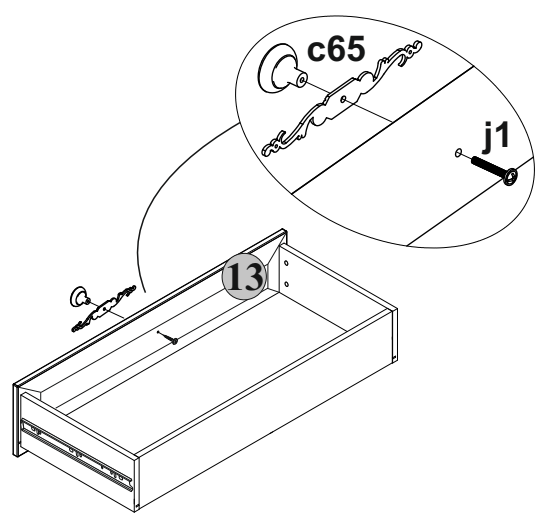
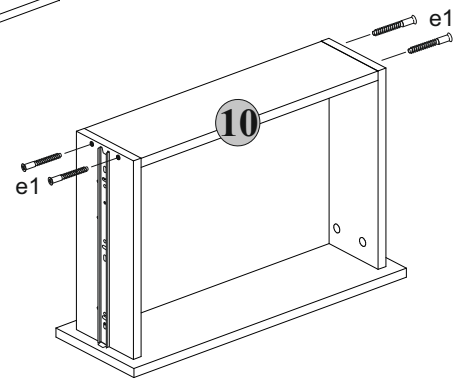
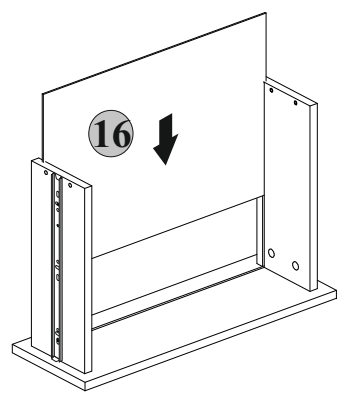
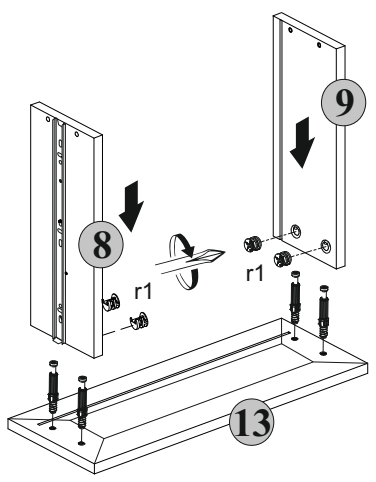
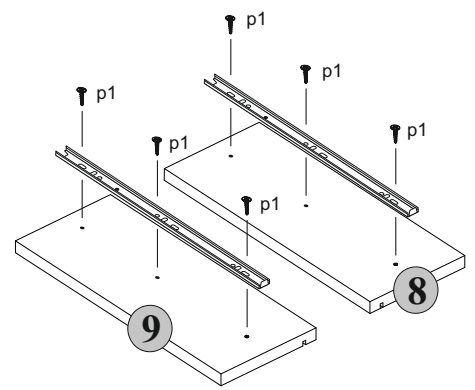
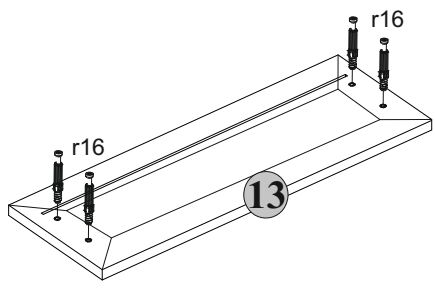


6

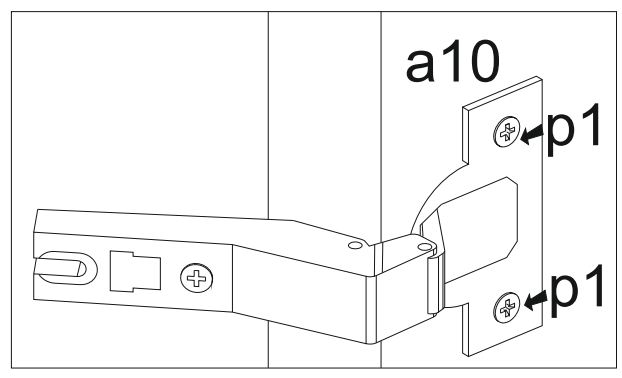
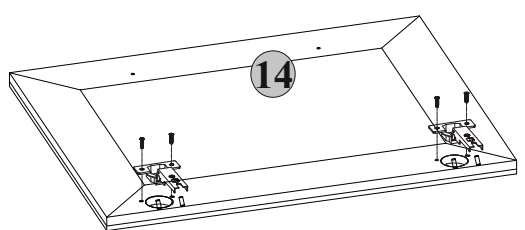


4

7

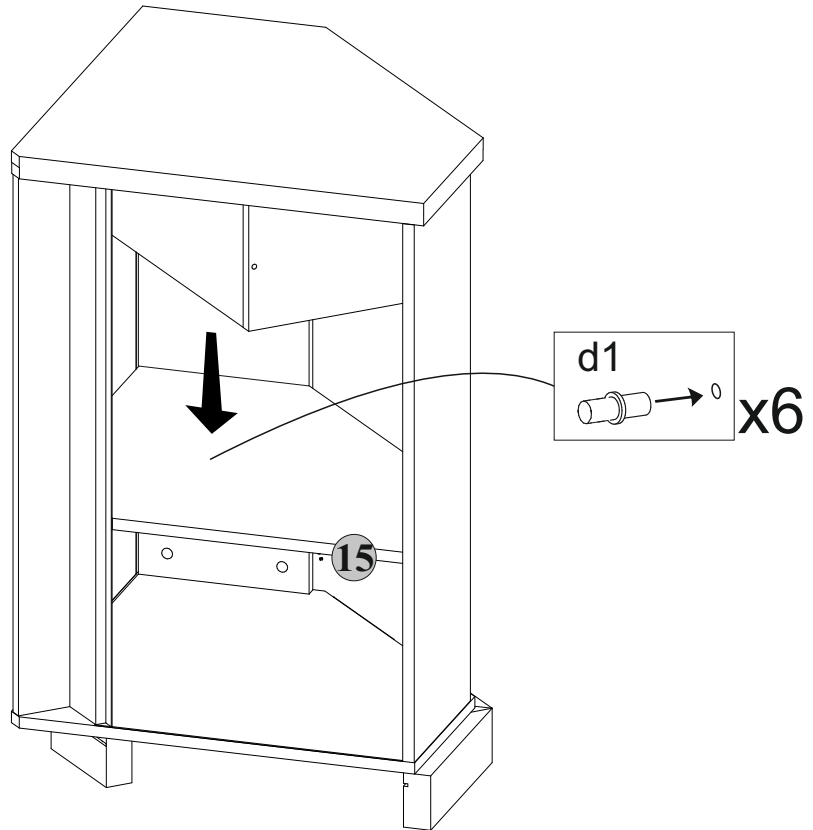


8



5

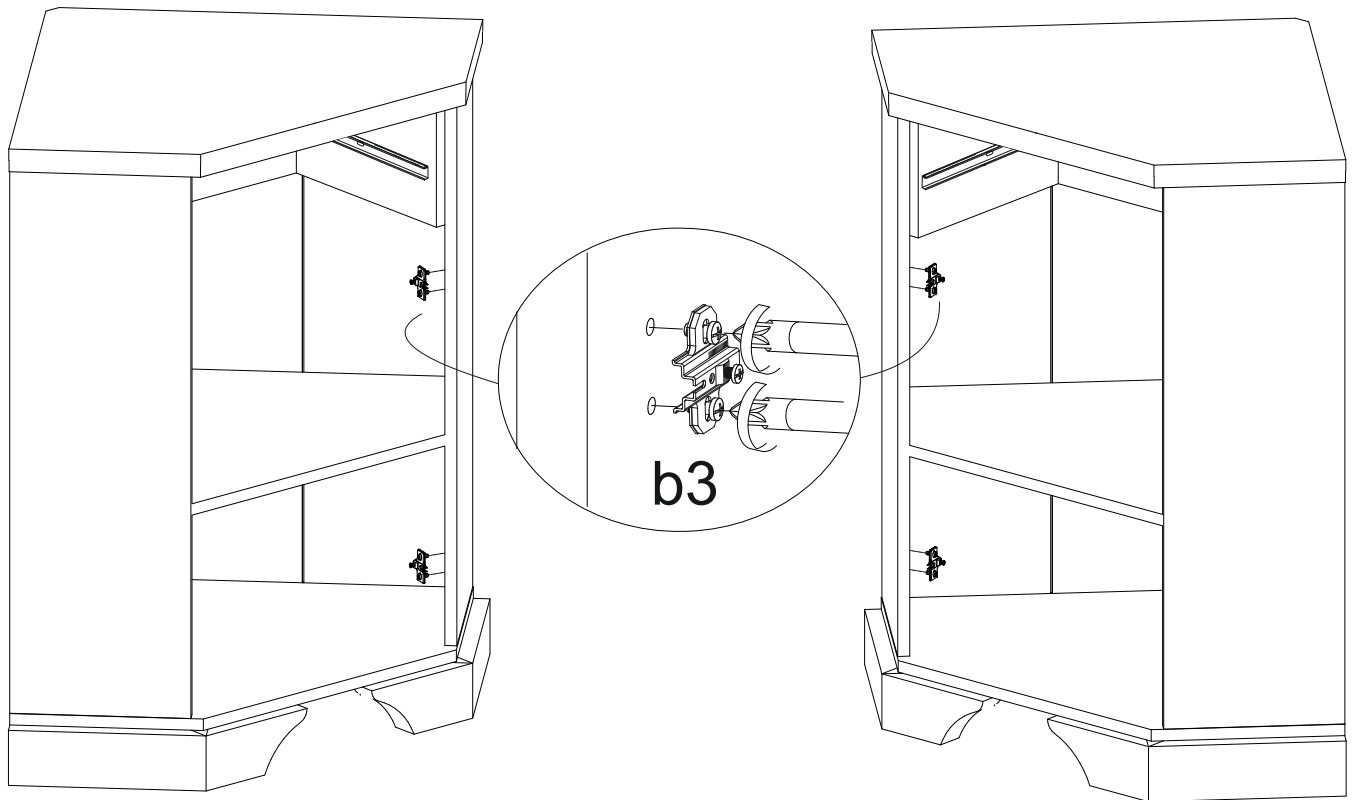
9



10

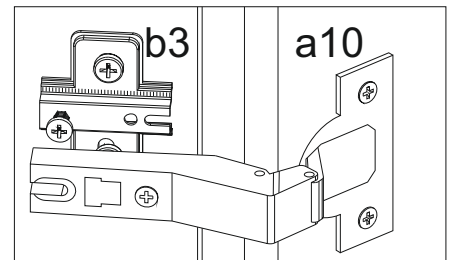
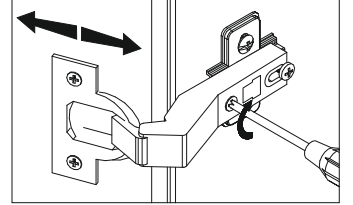
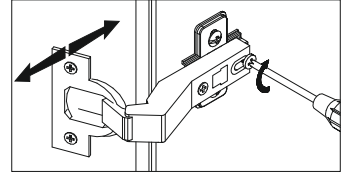
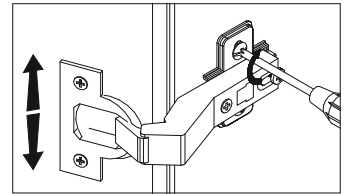
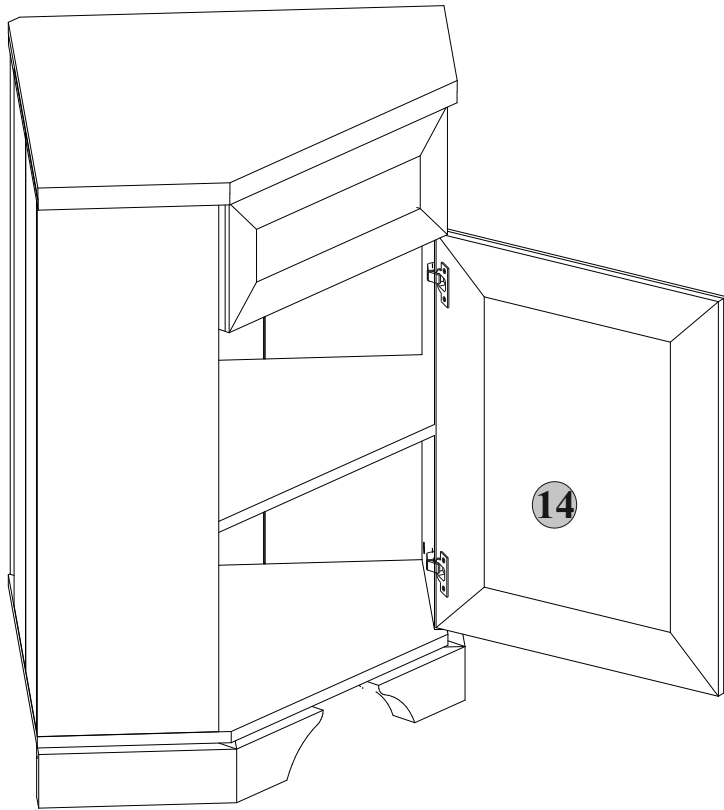
P

L

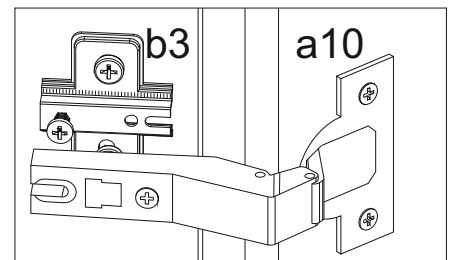
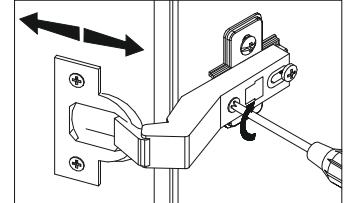
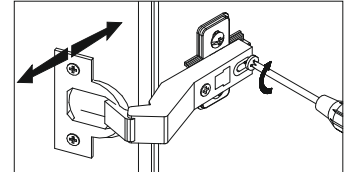
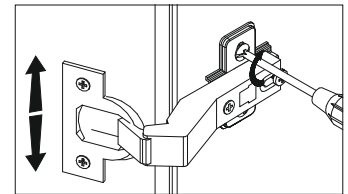
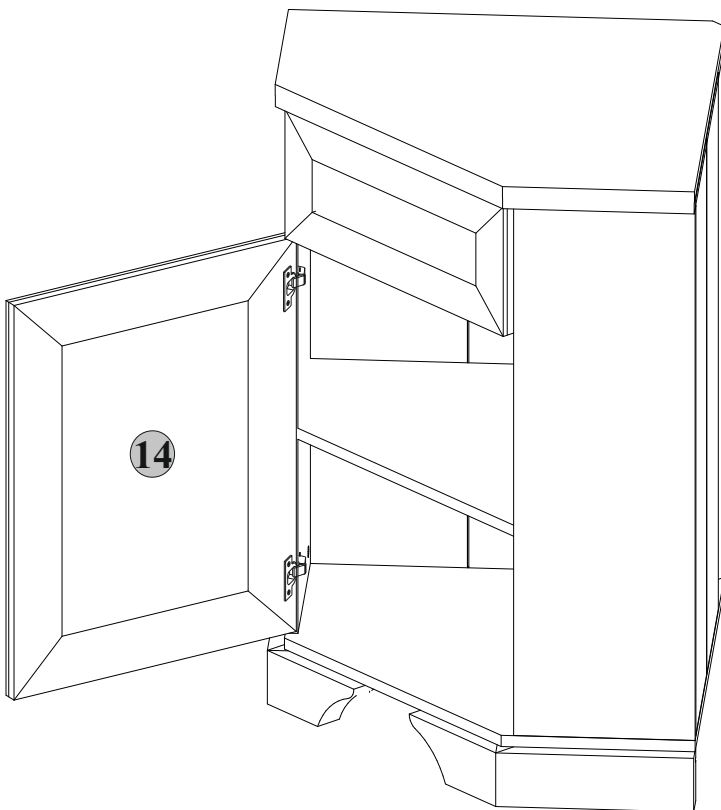


6

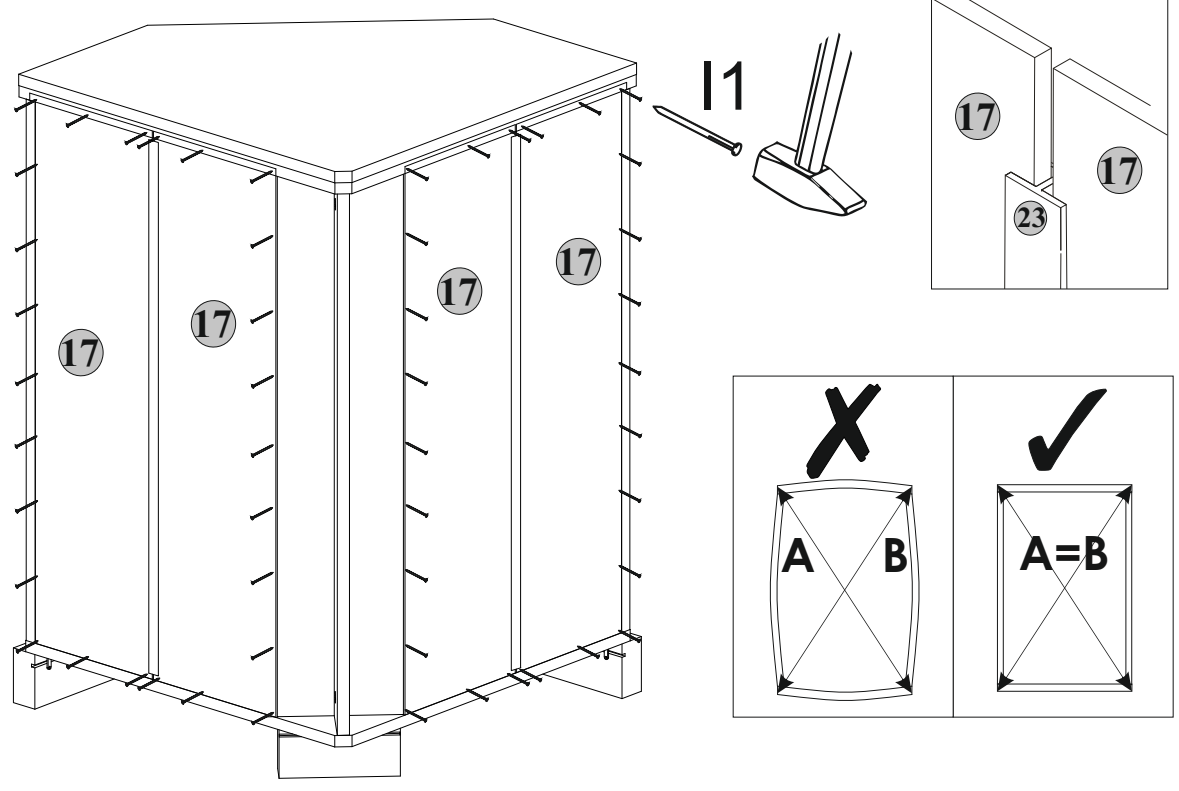
IIP



III



11



12

